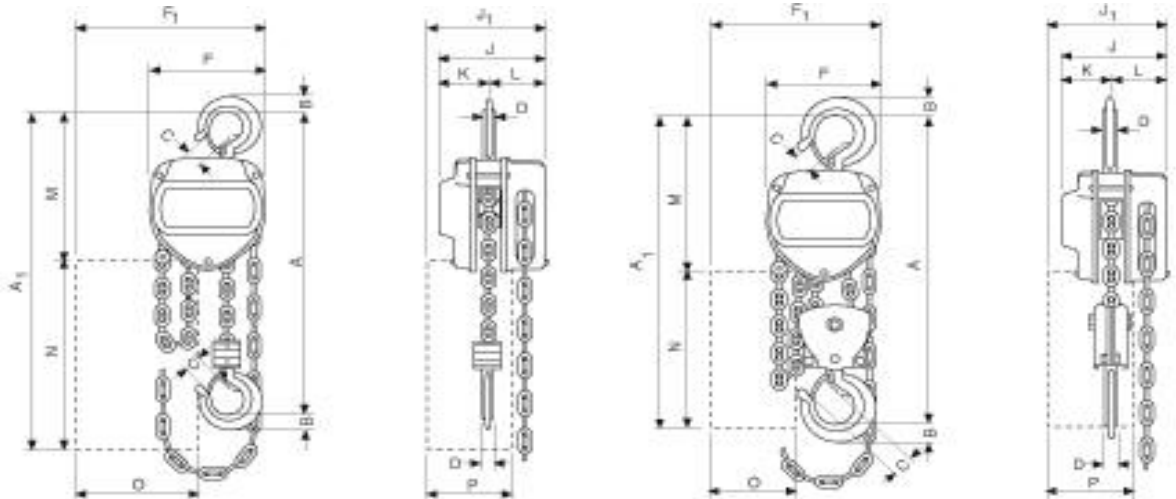


Hand Chain Hoists

hook suspension, VSIII type

- Capacities:** 250kg to 5t
Standards: BS EN 13157:2004+A1:2009
Finish: Epoxy powder coated body; zinc plated load chain, brake parts and guide rollers
Certificate: This product is supplied with an EC declaration of conformity
Features: High quality bearings for gearbox, side plates and loadchain sheave for long service life
 Optimised hand forces set standards for easy operation



working load limit	min closed height	chain dims									falls of load chain	weight at 3m HOL	product code *
		B mm	C mm	D mm	E mm	F mm	G mm	H mm	K mm	mm			
250	290	12	26	11	118	113	65	48	190	4 x 12	1	3.9	CBV025103
500	350	21	23	16	145	140	80	60	240	5 x 15	1	9	CBV050103
1000	380	28	27	20	158	155	87	68	270	6 x 18	1	11.5	CBV100103
2000	460	36	35	29	205	180	94	86	320	8 x 24	1	19	CBV200103
2000	490	36	35	29	170	155	87	68	285	6 x 18	2	17.3	CBV200203
3000	570	45	40	29	240	210	110	100	370	10 x 30	1	31	CBV300103
3000	580	45	40	29	220	175	94	81	340	8 x 24	2	27	CBV300203
5000	700	47	45	40	250	190	95	95	410	10 x 30	2	43	CBV500203



* last 2 numbers of product code = HOL (height of lift)
 03 = 3m HOL
 04 = 4m HOL
 etc.