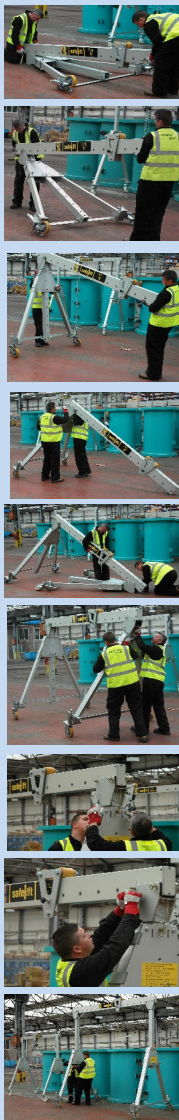
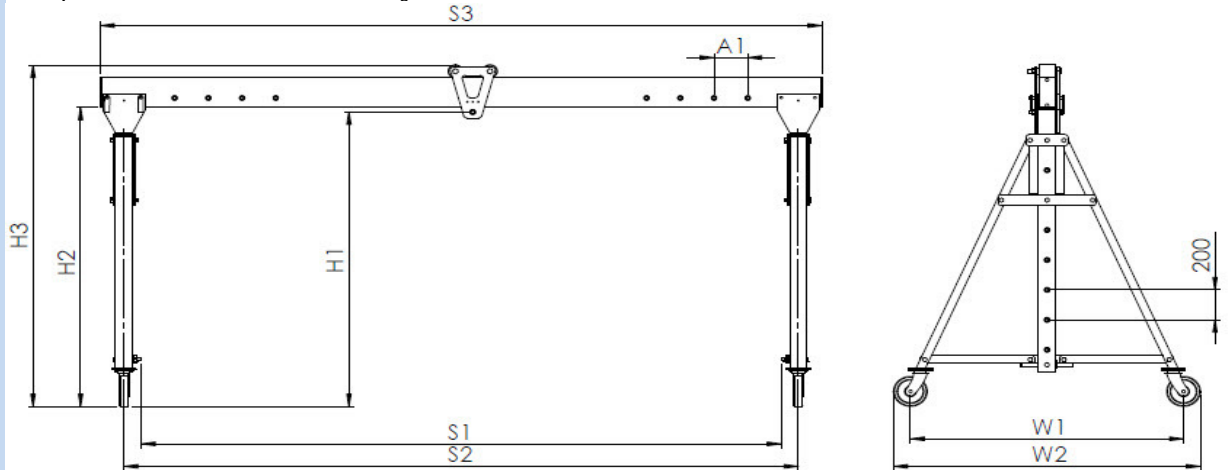


Mobile Gantry

aluminium type LG1

- Material:** Aluminium
- Safety Factor:** Design factor 2:1. Proof load 1.25 x SWL
- Standards:** BS EN 13001-1:2004 +A1:2009, BS EN 1993-1 and -6 – Eurocode 3
- Finish:** Anodised
- Certificate:** This product is supplied with an EC declaration of conformity
- Components:** A castors swivel with brake; parking jacks available as extra
- Note:** All aluminium – lightweight construction. Easy erection and dismantling by two people without handling equipment
- Special Note:** Not for man-riding



Model Ref	SWL	S1 (mm)	S2 (mm)	S3 (mm)	H1 (mm)	H2 (mm)	H3 (mm)	W1 (mm)	W2 (mm)	A1 (mm)	Wt (kg)
LG103501	300 kg	3416 - 4616	3580 - 4780	5000	1670 - 2270	1700 - 2300	1905 - 2505	1274	1474	150	84
LG105301	500 kg	1416 - 2616	1580 - 2780	3000	1670 - 2270	1700 - 2300	1905 - 2505	1274	1474	150	76
LG106201	600 kg	416 - 1616	580 - 1780	2000	1670 - 2270	1700 - 2300	1905 - 2505	1274	1474	150	72
LG106251	600 kg	916 - 2116	1080 - 2280	2500	1670 - 2270	1700 - 2300	1905 - 2505	1274	1474	150	74
LG110251	1t	432 - 2032	620 - 2220	2500	1770 - 2570	1800 - 2600	2085 - 2885	1421	1621	200	136
LG110252	1t	432 - 2032	620 - 2220	2500	1970 - 2970	2000 - 3000	2285 - 3285	1620	1820	200	140
LG110301	1t	932 - 2532	1120 - 2720	3000	1770 - 2570	1800 - 2600	2085 - 2885	1421	1621	200	140
LG110302	1t	932 - 2532	1120 - 2720	3000	1970 - 2970	2000 - 3000	2285 - 3285	1620	1820	200	144
LG110351	1t	1432 - 3032	1620 - 3220	3500	1770 - 2570	1800 - 2600	2085 - 2885	1421	1621	200	144
LG110352	1t	1432 - 3032	1620 - 3220	3500	1970 - 2970	2000 - 3000	2285 - 3285	1620	1820	200	148
LG110501	1t	2932 - 4532	3120 - 4720	5000	1770 - 2570	1800 - 2600	2085 - 2885	1421	1621	200	158
LG110502	1t	2932 - 4532	3120 - 4720	5000	1970 - 2970	2000 - 3000	2285 - 3285	1620	1820	200	163
LG110601	1t	3932 - 5532	4120 - 5720	6000	1770 - 2570	1800 - 2600	2085 - 2885	1421	1621	200	163
LG110602	1t	3932 - 5532	4120 - 5720	6000	1970 - 2970	2000 - 3000	2285 - 3285	1620	1820	200	167
LG120251	2t	432 - 2032	620 - 2220	2500	1770 - 2570	1800 - 2600	2085 - 2885	1421	1621	200	136
LG120252	2t	432 - 2032	620 - 2220	2500	1970 - 2970	2000 - 3000	2285 - 3285	1620	1820	200	140
LG120301	2t	932 - 2532	1120 - 2720	3000	1770 - 2570	1800 - 2600	2085 - 2885	1421	1621	200	140
LG120302	2t	932 - 2532	1120 - 2720	3000	1970 - 2970	2000 - 3000	2285 - 3285	1620	1820	200	144
LG120351	2t	1432 - 3032	1620 - 3220	3500	1770 - 2570	1800 - 2600	2085 - 2885	1421	1621	200	144
LG120352	2t	1432 - 3032	1620 - 3220	3500	1970 - 2970	2000 - 3000	2285 - 3285	1620	1820	200	148
LG120401	2t	1932 - 3532	2120 - 3720	4000	1770 - 2570	1800 - 2600	2085 - 2885	1421	1621	200	147
LG120402	2t	1932 - 3532	2120 - 3720	4000	1970 - 2970	2000 - 3000	2285 - 3285	1620	1820	200	151
LG125251	2.5t	432 - 2032	620 - 2220	2500	1770 - 2570	1800 - 2600	2085 - 2885	1421	1621	200	136
LG125252	2.5t	432 - 2032	620 - 2220	2500	1970 - 2970	2000 - 3000	2285 - 3285	1620	1820	200	140
LG125301	2.5t	932 - 2532	1120 - 2720	3000	1770 - 2570	1800 - 2600	2085 - 2885	1421	1621	200	140
LG125302	2.5t	932 - 2532	1120 - 2720	3000	1970 - 2970	2000 - 3000	2285 - 3285	1620	1820	200	144
LG130303	3t	932 - 2532	1120 - 2720	3000	1740 - 2140	1800 - 2200	2170 - 2570	1400	1731	200	270
LG130503	3t	2932 - 4532	3120 - 4720	5000	1740 - 2140	1800 - 2200	2170 - 2570	1400	1731	200	300
LG150303	5t	932 - 2532	1120 - 2720	3000	1740 - 2140	1800 - 2200	2170 - 2570	1400	1731	200	270
LG150403	5t	2932 - 4532	3120 - 4720	5000	1740 - 2140	1800 - 2200	2170 - 2570	1400	1731	200	300